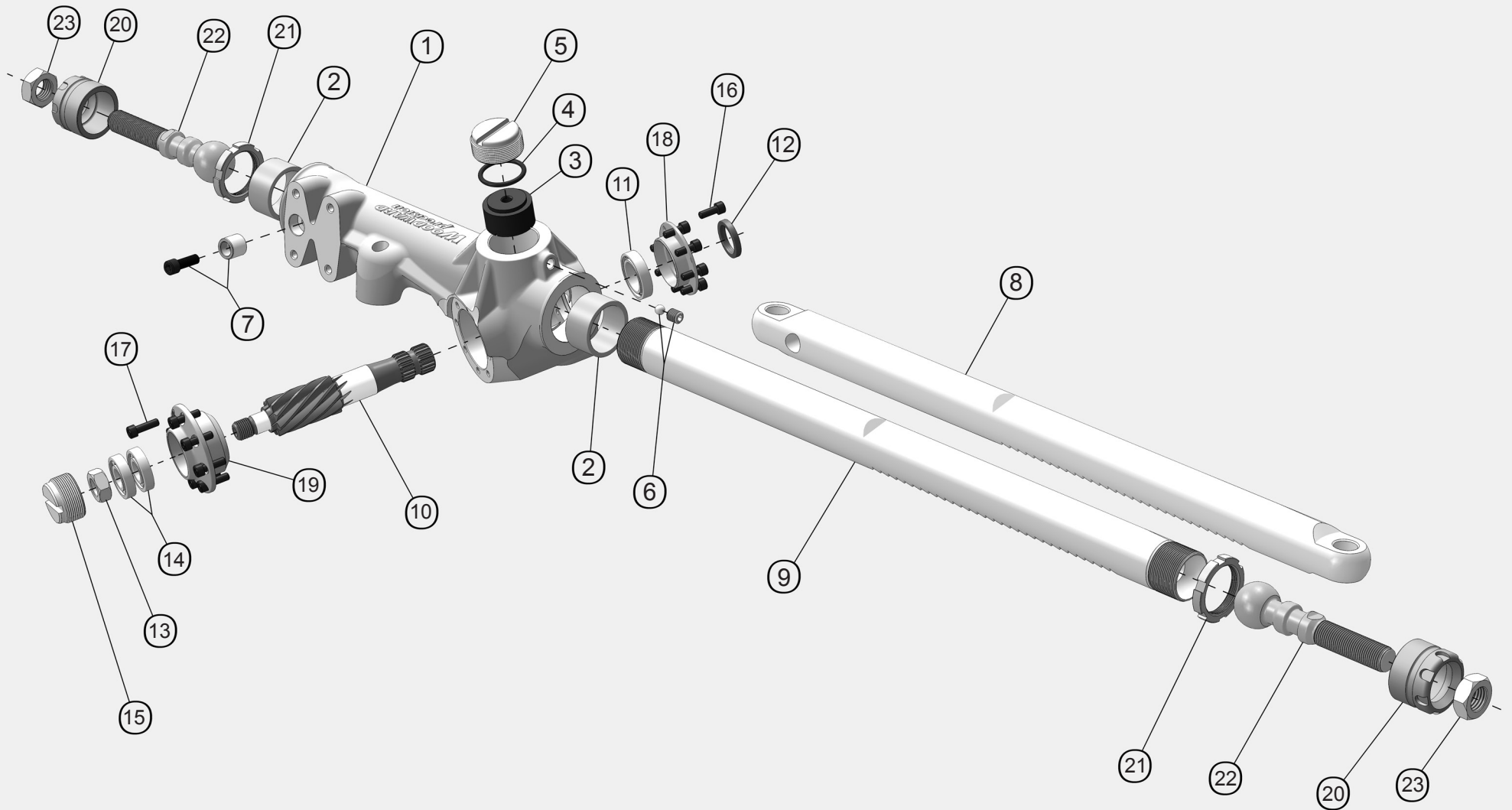


Type GE and HE Rack and Pinion exploded view

(basic mechanical parts used on both manual and power steering racks)



Type GE/HE parts list (basic mechanical parts used on both manual and power steering rack)

Dwg no.	Part no.	Description
1	GE100-262	Housing for GE308, 309 and 310 pinions
	GE100-288	Housing for GE311 pinion
	GE100-314	Housing for GE312 pinion
	GE100-340	Housing for GE313 pinion
	GE100-366	Housing for GE314 pinion
	GE100-392	Housing for GE315 pinion
	GE100-419	Housing for GE316 pinion
	GE100-445	Housing for GE317 pinion
	HE100-262	Housing for GE308, 309 and 310 pinions
	HE100-288	Housing for GE311 pinion
	HE100-314	Housing for GE312 pinion
	HE100-340	Housing for GE313 pinion
	HE100-366	Housing for GE314 pinion
	HE100-392	Housing for GE315 pinion
	HE100-419	Housing for GE316 pinion
	HE100-445	Housing for GE317 pinion
<i>(Note: All housings include GE101, 102, 103, 104 and 105 and are pre-honed for the rackshaft. Type HE housings also include VHE584 and VH201 shown elsewhere)</i>		
2	GE101	Rack bushing (2 required)
3	GE102	Snubber
4	GE103	Snubber O-ring
5	GE104	Snubber adjusting screw
6	GE105	Set screw and plastic ball
	GE106	Zerk [grease] fitting (not shown)
7	GE107	Dowel, 9/16 x 1/2 with 1/4-20 x 1/2 socket screw
	GE108	Dowel, 9/16 x 5/8 with 1/4-20 x 5/8 socket screw
8	GE230-8-1725	Standard rackshaft for GE308 pinion, 17.25 centers
	GE230-9-1725	Standard rackshaft for GE309 pinion, 17.25 centers
	GE230-10-1725	Standard rackshaft GE310-up pinions, 17.25 centers
	GE230-8-1825	Standard rackshaft for GE308 pinion, 18.25 centers
	GE230-9-1825	Standard rackshaft for GE309 pinion, 18.25 centers
	GE230-10-1825	Standard rackshaft for GE310-up pinions, 18.25 centers
	GE230-10-1925	Standard rackshaft for GE310-up pinions, 19.25 centers
	GE230-10-1975	Standard rackshaft for GE310-up pinions, 19.75 centers

Dwg no.	Part no.	Description
9	GEM230-8-1725	Monoball rackshaft for GE308 pinion, 17.25 centers
	GEM230-9-1725	Monoball rackshaft for GE309 pinion, 17.25 centers
	GEM230-10-1725	Monoball rackshaft for GE310-up pinion, 17.25 centers
	GEM230-8-1825	Monoball rackshaft for GE308 pinion, 18.25 centers
	GEM230-9-1825	Monoball rackshaft for GE309 pinion, 18.25 centers
	GEM230-10-1825	Monoball rackshaft for GE310-up pinion, 18.25 centers

(Not shown):

GEC230-10-1825	Slotted-clevis rackshaft for GE310-up, 18.25 centers
GEC230-10-1925	Slotted-clevis rackshaft for GE310-up, 19.25 centers
GEC230-10-1975	Slotted-clevis rackshaft for GE310-up, 19.75 centers

(For other part numbers or custom rackshafts please call 1.307.472.0550)

10	GE308 (HE308)	Pinion, 8T, ratio 2.09 inches/turn
	GE309 (HE309)	Pinion, 9T, ratio 2.36 inches/turn
	GE310 (HE310)	Pinion, 10T, ratio 2.62 inches/turn
	GE311 (HE311)	Pinion, 11T, ratio 2.88 inches/turn
	GE312 (HE312)	Pinion, 12T, ratio 3.14 inches/turn
	GE313 (HE313)	Pinion, 13T, ratio 3.40 inches/turn
	GE314 (HE314)	Pinion, 14T, ratio 3.66 inches/turn
	GE315 (HE315)	Pinion, 15T, ratio 3.92 inches/turn
	GE316 (HE316)	Pinion, 16T, ratio 4.19 inches/turn
	GE317 (HE317)	Pinion, 17T, ratio 4.45 inches/turn

(Note: HE pinions have a flat on the spline but are otherwise identical to GE)

11	GE321	Pinion radial bearing
12	GE323	Pinion seal
13	GE331	Pinion locknut
14	GE340	Pinion thrust bearing (pair)
15	GE341	Bearing retainer plug
16	GE350	#10-24 x 1/2 socket head cap screw (8)
17	GE351	#10-24 x 5/8 socket head cap screw (8)
18	GE400	Small eccentric bearing carrier
19	GE500	Large eccentric bearing carrier
20	M510	Monoball adjusting nut
21	M511	Monoball locking nut
22	M512	Ball stud
23	No p/n	5/8-18 UNF tie rod jam nut