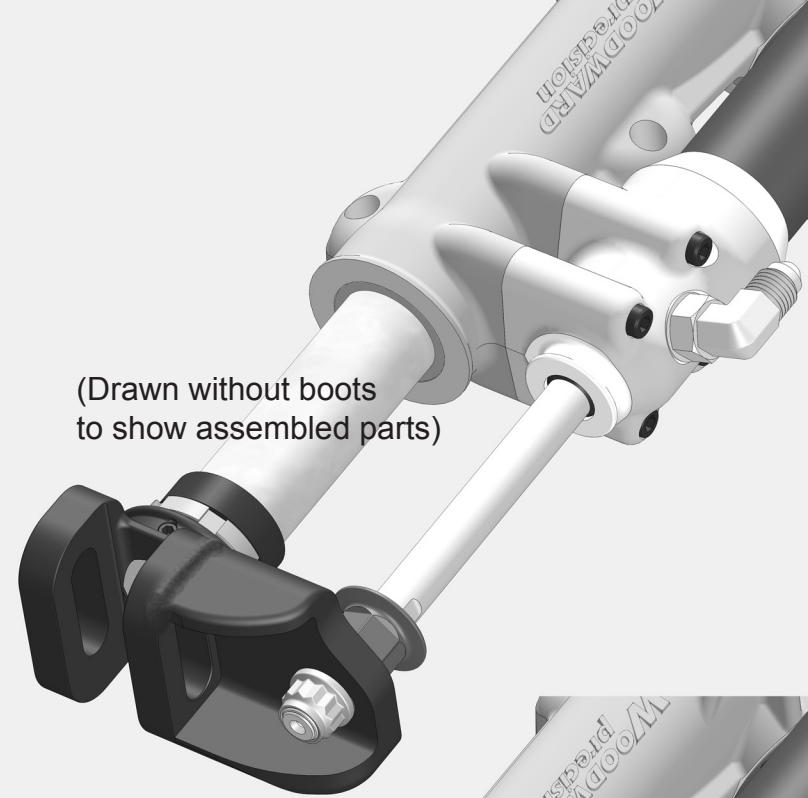
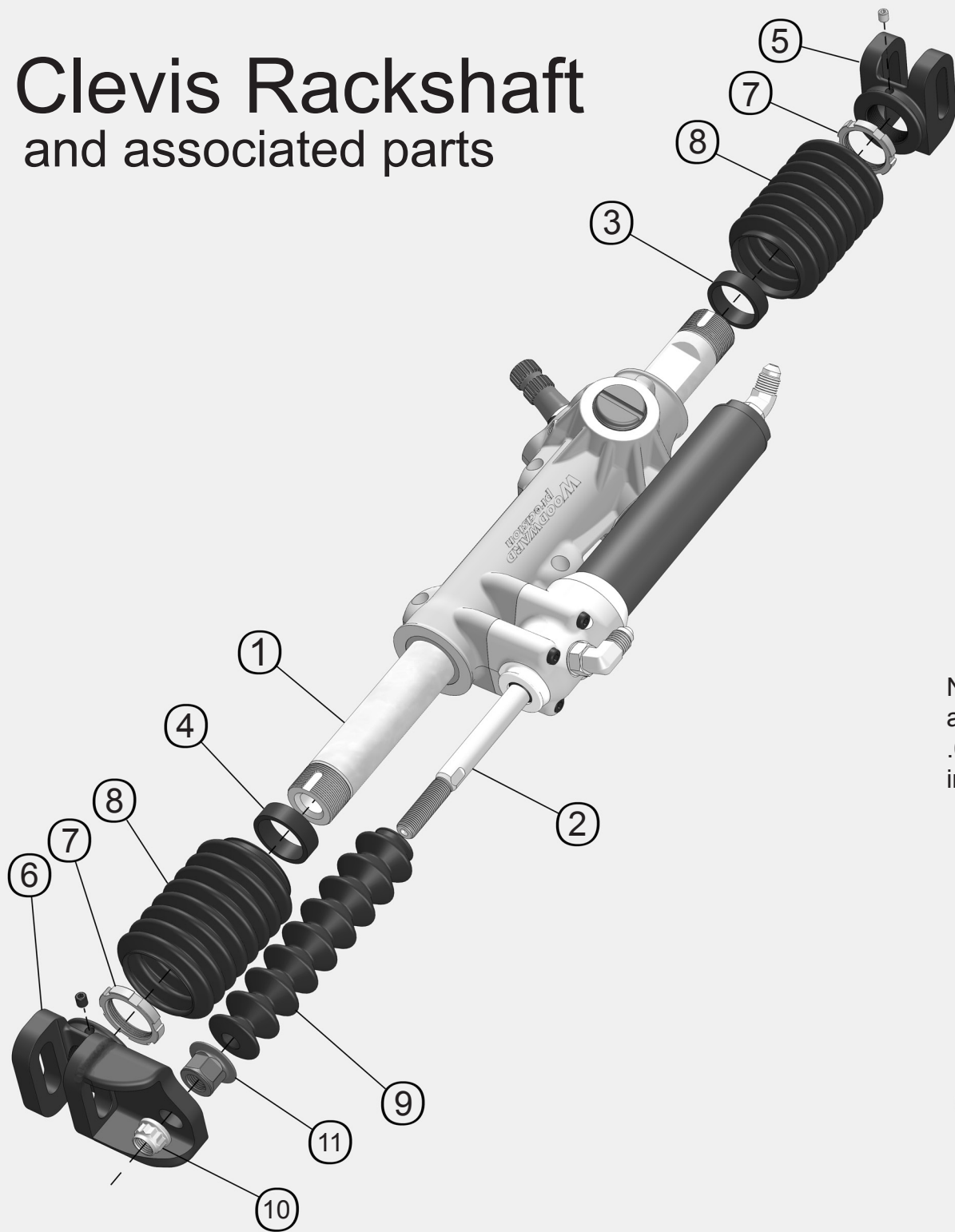
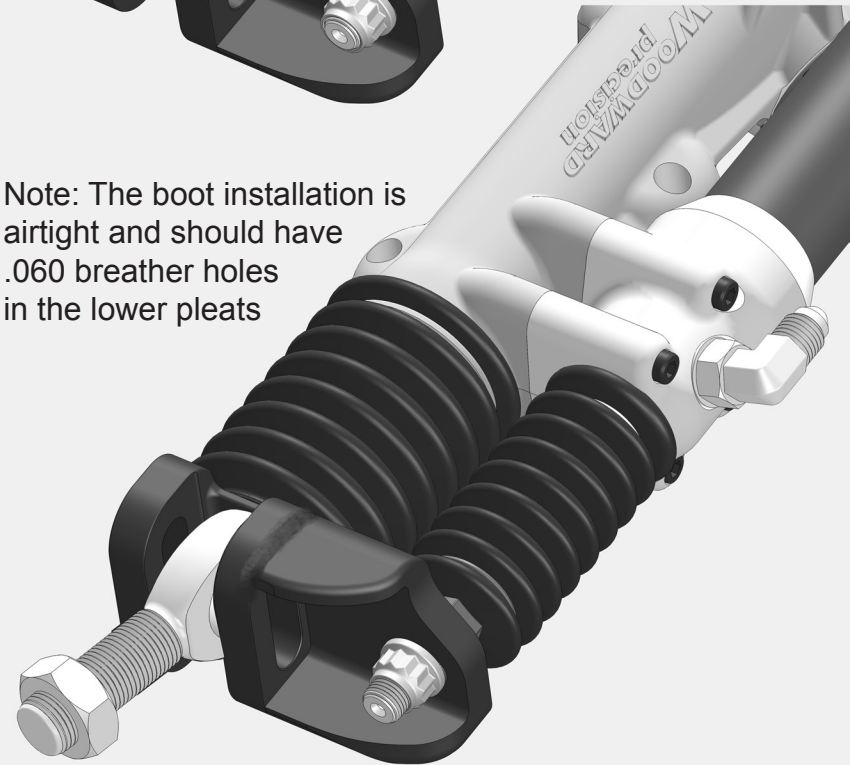


Clevis Rackshaft and associated parts



Note: The boot installation is airtight and should have .060 breather holes in the lower pleats



Parts used with Clevis Rackshaft (rack types GEC, GLC, HEC and HLC)

Dwg no.	Part no.	Description
1	GEC230-8-1825	Clevis rackshaft for 2.09 ratio only, 18.25 centers
	GEC230-9-1825	Clevis rackshaft for 2.36 ratio only, 18.25 centers
	GEC230-10-1825	Clevis rackshaft for all ratios 2.62 thru 4.45, 18.25 centers
	GEC230-10-1925	Clevis rackshaft for all ratios 2.62 thru 4.45, 19.25 centers
	GEC230-10-1975	Clevis rackshaft for all ratios 2.62 thru 4.45, 19.75 centers
2	GEC170C-1825	Piston rod for clevis racks with 18.25 centers
	GEC170C-1925	Piston rod for clevis racks with 19.25 centers
	GEC170C-1975	Piston rod for clevis racks with 19.75 centers
3	GEC202	Travel stop, .425 long, used on right and left sides of 18.25 and 19.25 rackshafts
4	GEC203	Travel stop, .925 long, used on right side only of 19.75 rackshafts
5	GEC410	Clevis, plain (<i>includes 1/4-28 x 5/16 set screw</i>)
6	GEC410B	Clevis, with rod bracket (<i>includes 1/4-28 x 5/16 set screw</i>)
7	GEC411	Spanner type jam nut (2)
8	GEC360	Rack boot (2)
9	GEC361	Rod boot
10	GEC176	Rod lock nut, NAS1804-8
11	GEC177	Rod nut/boot retainer