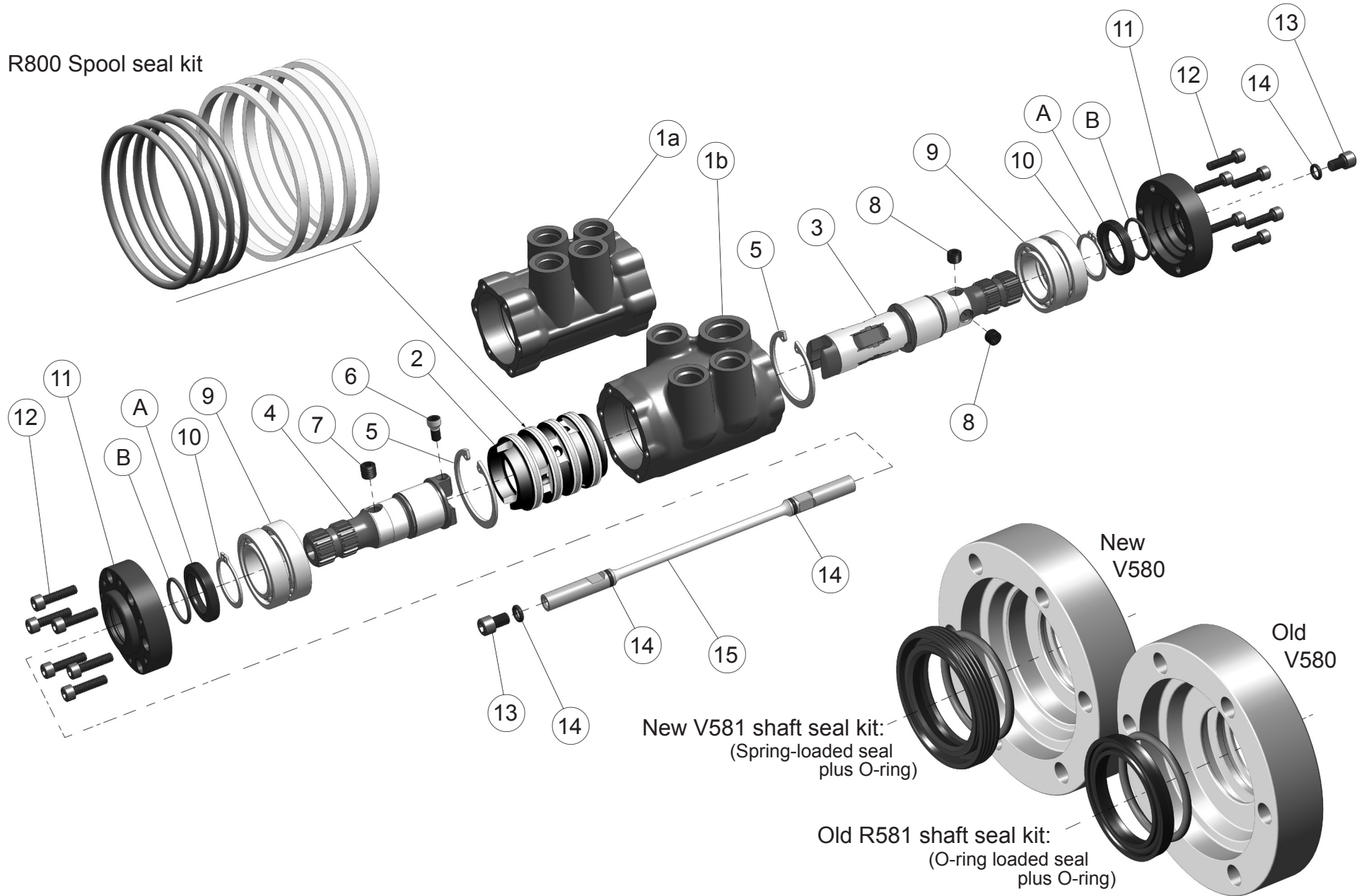


# Servo exploded view

(applies to inline servos and servos mounted to HE and HL racks)

Revised 19 Nov 2018

R800 Spool seal kit



# Servo parts list (applies to inline servos and servos mounted to HE and HL racks)

Revised 19 Nov 2018

<u>Dwg. no.</u>	<u>Part no.</u>	<u>Description</u>	<u>Dwg. no.</u>	<u>Part no.</u>	<u>Description</u>
1a	V600	Housing for VA800 series	13	TB353	Torsion bar plug screw, 1/4-28 x 3/8 (2)
1b	V700	Housing for VA900 series	14	TB000	O-ring
2	V601	Valve spool	15	TB180	Torsion bar
	V601C			TB185	
3	V570-50-1	Valve input shaft		TB190	
	V570-50-2			TB195	
	V570-50-2C			TB200	
	V570-55			TB205	q
				TB210	
				TB215	
				TB220	
				TB225	
				TB230	
4	V571	Output shaft		TB235	
5	V641	Housing snap ring (2)		TB240	
6	V572	Spool drive bolt			
7	V575A	Anchor screw, 5/16-24 x 5/16 w/ machined end			
8	V575B	Centering adjustment screw, 5/16-24 x 1/4 cup point (2)			
		<i>(Note: when changing a torsion bar it is recommended to also replace both V575B screws.)</i>			
9	V640	Ball bearing (4)	A	V581	Spring-loaded Viton seal
10	V574	Shaft snap ring (2)	B	V581	Viton O-ring
11	V580	End cap (2)			
		<i>(Note: end caps redesigned for new shaft seals beginning with servo serial no. 10150.)</i>			<i>(Note: V581 kit includes both A and B. The previous design end caps used kit R581 which is obsolete and no longer used. Servo serial numbers before 10150 must be serviced with the new design end caps which include the new seals installed. These parts are included in a servo rebuild.)</i>
12	V350	Socket head cap screw, #10-24 x 3/4 (12)			