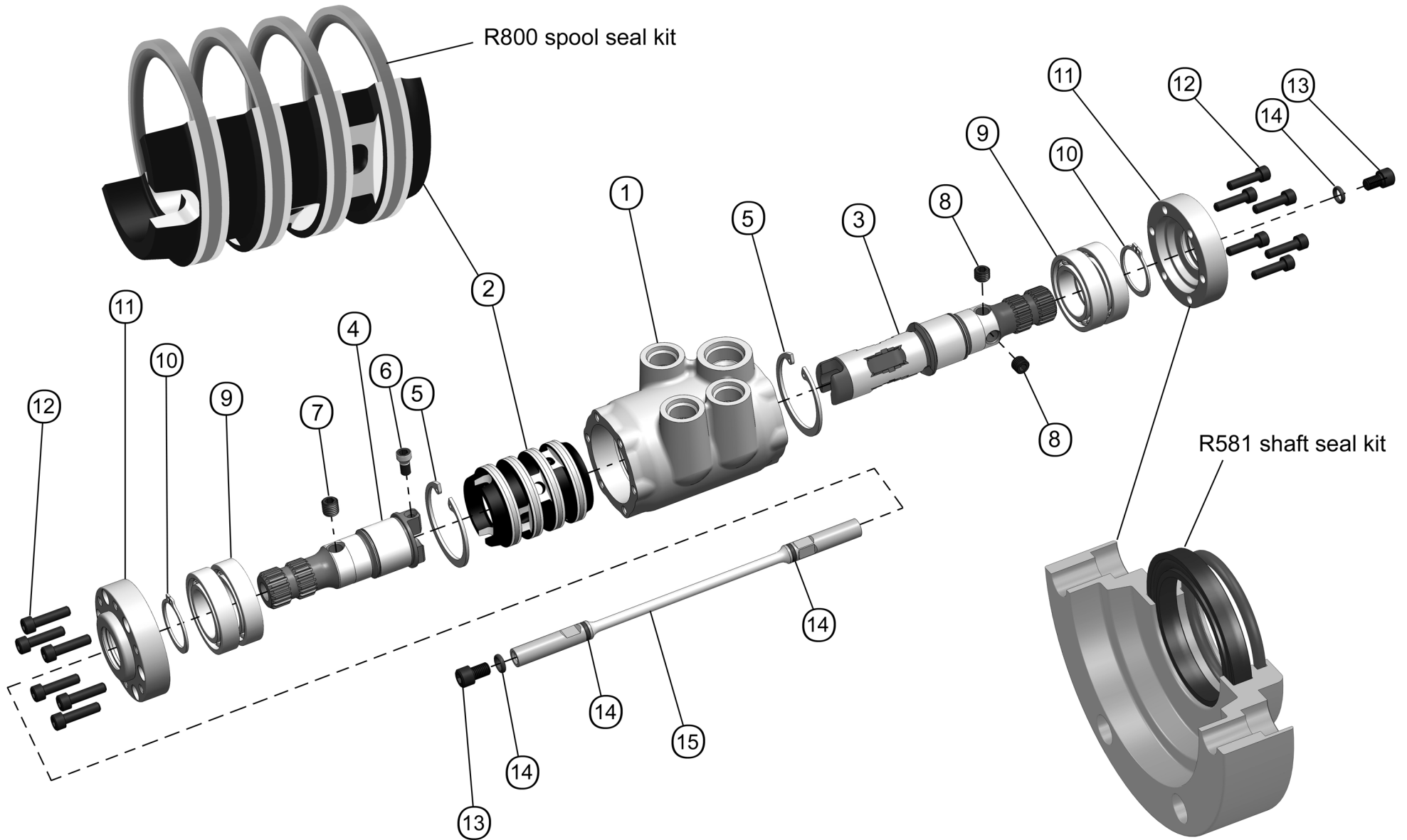


Servo exploded view applies to servos coupled inline and servos mounted to HE and HL racks



Servo parts list

(applies to servos coupled inline and servos mounted to HE and HL racks)

Dwg no.	Part no.	Description	Dwg no.	Part no.	Description
1	V600 V700 (<i>shown</i>)	Housing	13	TB353	Torsion bar plug screw, 1/4-28 x 3/8 (2)
2	V601 V601C	Valve spool	14	TB000	Torsion bar O-ring
3	V570-50-1 V570-50-2 V570-50-2C V570-55	Valve input shaft	15	TB180 TB185 TB190 TB195 TB200 TB205 TB210 TB215 TB220 TB225 TB230 TB235 TB240	Torsion bar
<i>(Note: the spool and input shaft together comprise a Valve Assembly and are sold as a unit)</i>					
4	V571	Output shaft			
5	V641	Housing snap ring (2)			
6	V572	Spool drive bolt			
7	V575A	Anchor screw, 5/16-24 x 5/16 w/ machined end			
8	V575B	Centering adjustment screw, 5/16-24 x 1/4 cup point (2)			
9	V640	Ball bearing (4)			
10	V574	Shaft snap ring (2)			
11	V580	End cap (2)			
12	V350	Socket head cap screw, #10-24 x 3/4 (12)			